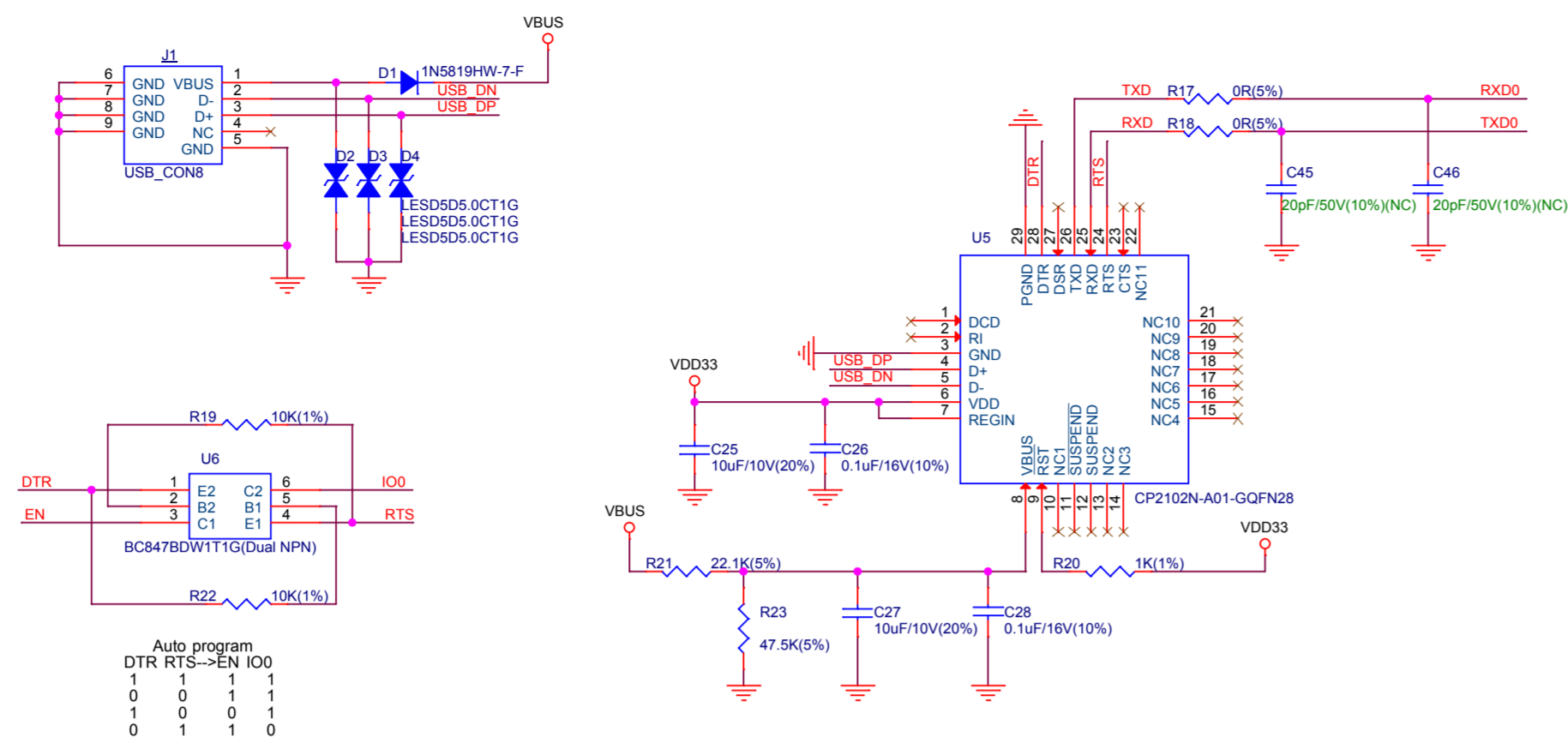


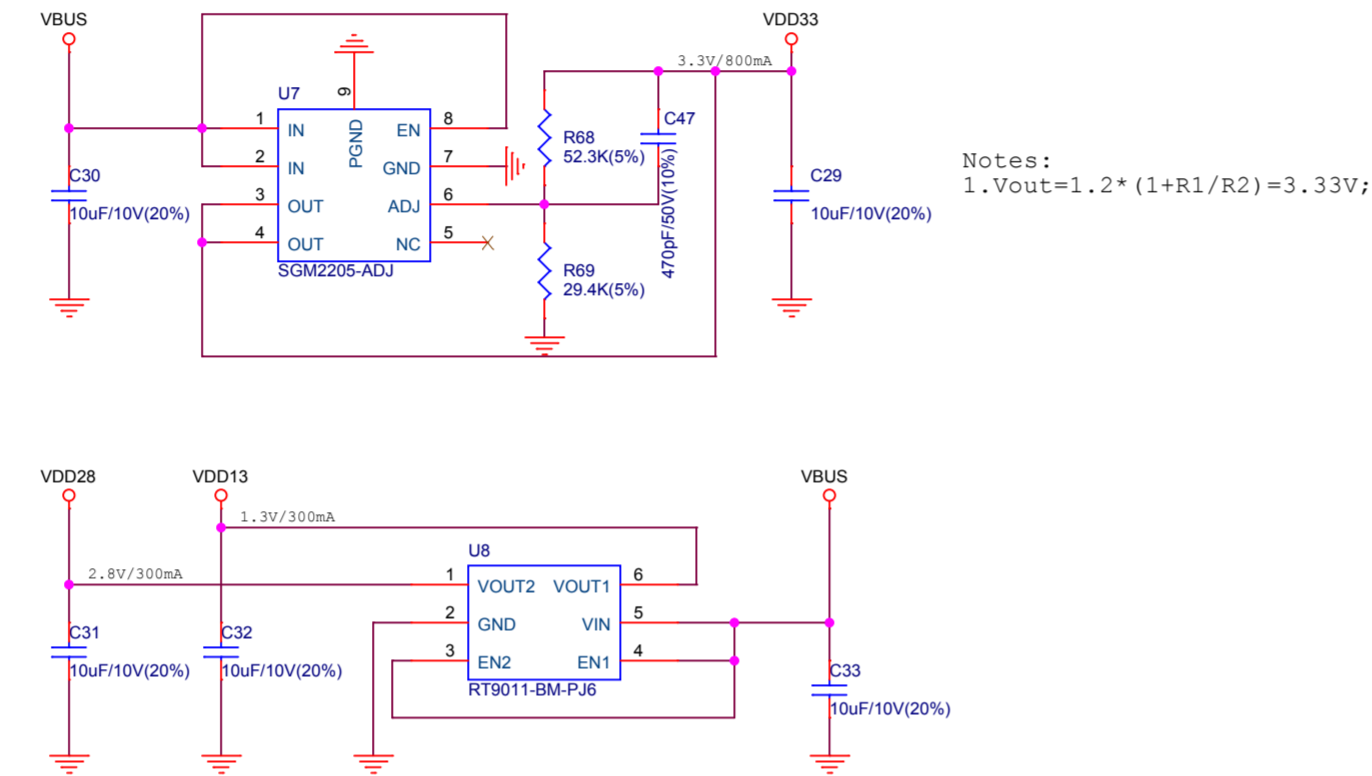
USB & USB=>UART



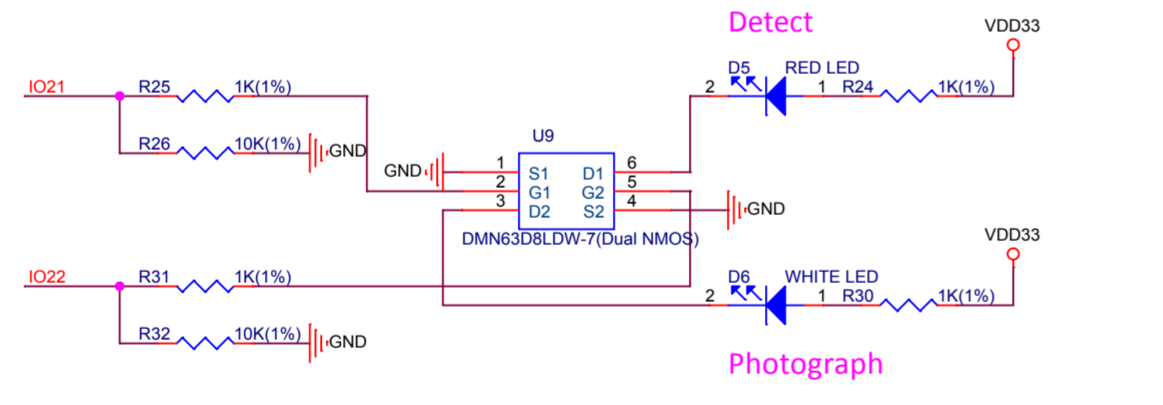
Auto program

DTR	RTS	-EN	IO0
1	1	1	1
0	0	0	1
1	0	0	1
0	1	1	0

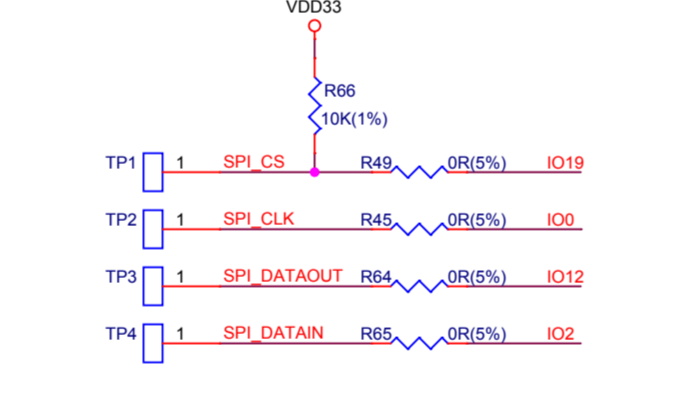
Power Supply



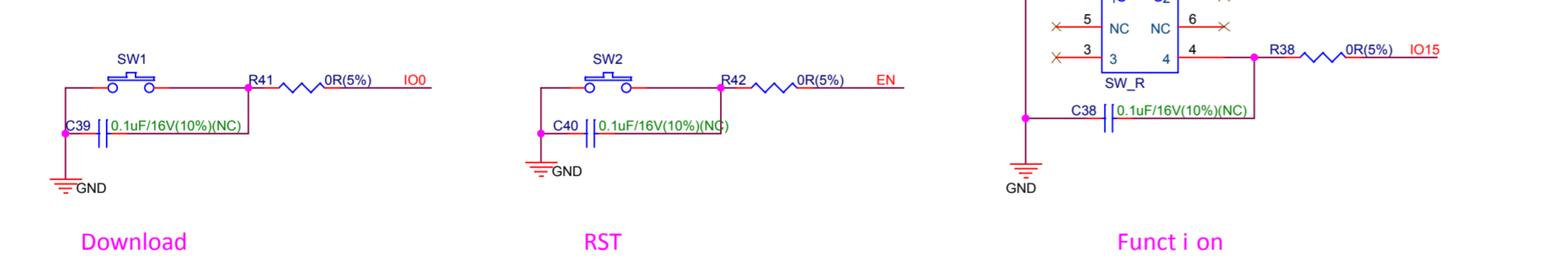
LED



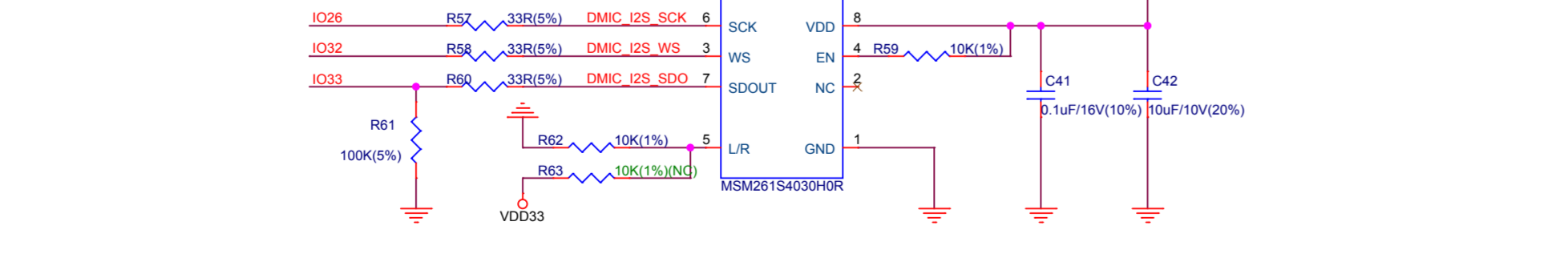
Reserved SPI Port



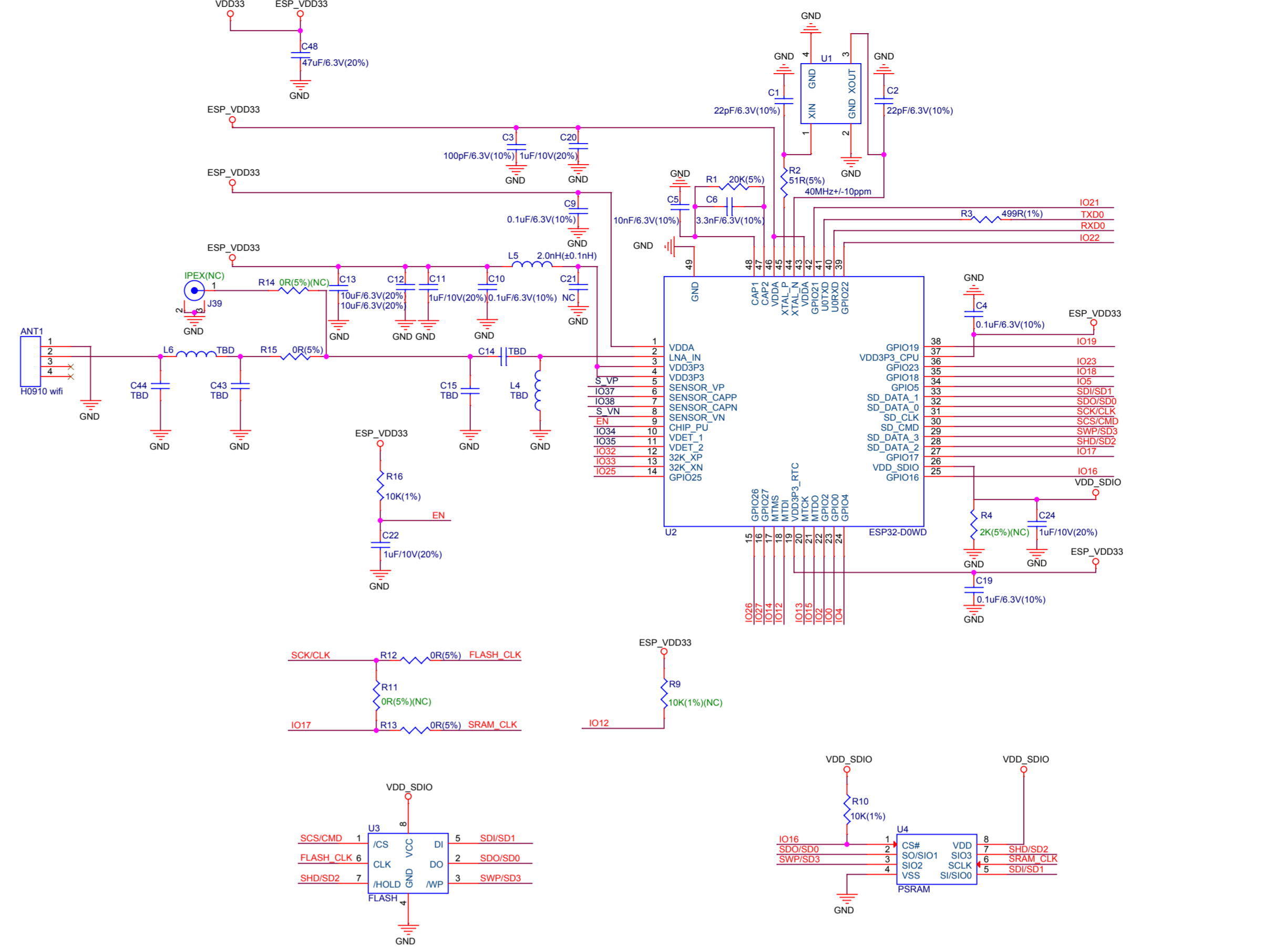
Button



MIC



ESP32



Camera

